

product specifications for:

DC connectors

Item #: 12VBRS2

Description

Receptacle, locking, 2-wire
Mates with 12VBPS2 plug

Electrical Specifications

12, 24, or 36 volt 2-wire systems

Material Specifications

Housing Material: Nylon
Contact Material: Brass
Cover: Molded flexible vinyl

Terminals

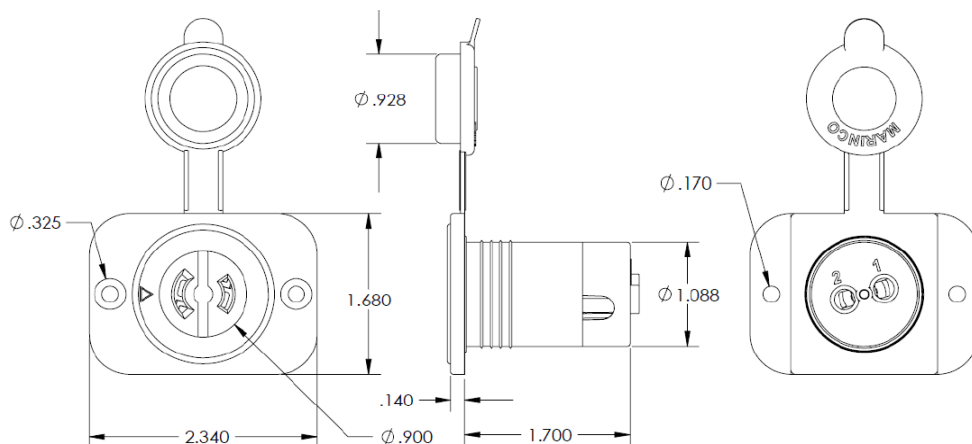
Brass, lug style, Perma-Lock™ design. Accommodates 10 and 8 AWG wire.

Terminal Identification

Terminal openings are identified by numbers.

Mechanical Specification

Overall Design: For front panel mount installations (1-1/8" diameter mounting hole), with draining holes in receptacle to keep water away from electrical components.



Dimensions shown in inches